

PİSLİK TUTUCU

STRAINER

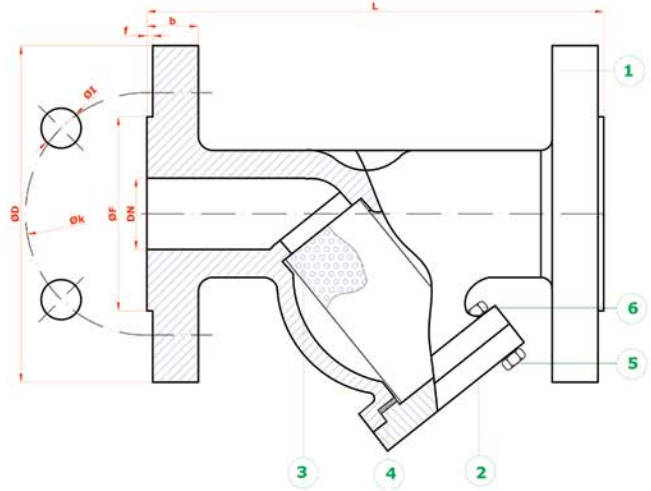
FLANŞLI FLANGED

TİP (TYPE) : BPT - FL
DN 15 - DN 150

Boyutlar	Dimensions	: TS 11494 // EN 558-1
Bağlantılar	Connections	: FLANŞLI / FLANGED PN 16; DIN 2533 // EN 1092-1 FLANŞLI / FLANGED PN 40; DIN 2545 // EN 1092-2
Çalışma Basıncı	Working Pressure	: PN 16 - PN 25 - PN 40
Çalışma Sıcaklığı	Working Temperature	: PN 16 : -10 °C // +300°C PN 40 : -40 °C // +400°C
Kullanım Alanları	Usage Areas	: Doğalgaz, LPG-LNG, Fuel-Oil, Basıncılı Hava ve Diğer Gazlar Natural Gas, LPG-LNG, Fuel-Oil, Pressurized Air and Other Gases etc.



MALZEME BİLGİSİ MATERIAL DATA						
PARÇA NO ITEM NO	ADET PCS	PARÇA ADI ITEM DESCRIPTION	MALZEME MATERIAL			
6	4	SOMUN NUT	8	8	8	1.4301
5	4	CIVATA BOLT	.8.8	.8.8	.8.8	1.4301
4	2	GÖVDE SIZDIRMAZLIK TEFLONU BODY TIGHTNESS ELEMENT	PTFE-Teflon	PTFE-Teflon	PTFE-Teflon	PTFE-Teflon
3	1	FİLTRE FILTER	1.4301	1.4301	1.4301	1.4301
2	1	KAPAK COVER	GG 25	GGG 40.3	GS C 25	1.4301 / 1.4401
1	1	GÖVDE BODY	GG 25	GGG 40.3	GS C 25	1.4301 / 1.4401



TİP (TYPE)	BOYUTLAR (DIMENSIONS)		BAĞLANTI ÖLÇÜLERİ CONNECTION SIZES															
	PN 16 - 25 - 40			PN 16							PN 25 - 40							
	L	DN	f	D	k	Hole Unit	I	F	b	kg	D	k	Hole Unit	I	F	b	kg	
BPT-FL	DN 15	130	15	2	95	65	4	14	45	14	2,3	95	65	4	14	45	16	2,4
	DN 20	150	20	2	105	75	4	14	58	16	3,8	105	75	4	14	58	18	4,0
	DN 25	160	25	2	115	85	4	14	68	16	5,0	115	85	4	14	68	18	5,2
	DN 32	180	32	2	140	100	4	18	78	18	7,0	140	100	4	18	78	18	7,2
	DN 40	200	40	3	150	110	4	18	88	18	8,2	150	110	4	18	88	18	8,5
	DN 50	230	50	3	165	125	4	18	102	20	12,0	165	125	4	18	102	20	12,2
	DN 65	290	65	3	185	145	4	18	122	20	18,8	185	145	8	18	122	22	19,0
	DN 80	310	80	3	200	160	8	18	138	22	27,2	200	160	8	18	138	24	27,7
	DN 100	350	100	3	220	180	8	18	158	24	43,8	235	190	8	22	162	24	44,0
	DN 125	400	125	3	250	20	8	18	188	26	64,0	270	220	8	26	188	26	65,0
	DN 150	480	150	3	285	240	8	22	212	26	78,0	300	250	8	26	218	28	80,0

BATUSAN standartlar içerisinde kalarak; dizayn, konstrüksiyon ve malzeme değiştirme hakkına sahiptir.
BATUAN has rights to change for desing, construction and material of it's products with respect to standards